

Z521 12" DIAMETER ADJUSTABLE HEAVY-DUTY DRAIN



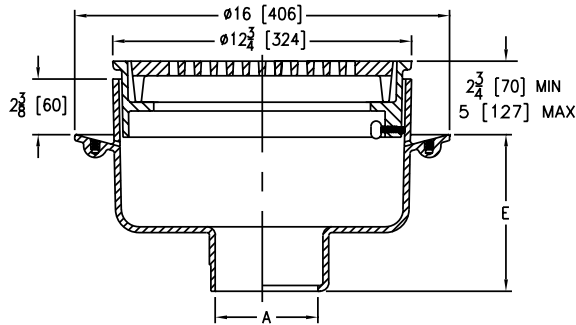
ENGINEERING SPECIFICATION

Zurn Z521 12" diameter top drain features Dura-Coated cast iron body with bottom outlet, seepage pan, and adjustable extension frame with heavy-duty tractor grate.

NOTES

†Add 3/16" to 2-3/4" through 5" dimension for ZN

A Pipe Size inch [mm]	Grate Open Area sq in [cm ²]	Approximate Weight lb [kg]
3 [76], 4 [102], 6 [152]	30 [194]	60 [27]



PREFIXES	DESCRIPTION	PIPE SIZE	LIST PRICE
Z521*	D.C.C.I. Body and Top	2", 3", 4", 6"	1,977.00
ZN521	D.C.C.I. Body with Polished Nickel Bronze Top	2", 3", 4", 6"	2,679.00

OUTLETS (SPECIFY PIPE SIZE IN INCHES AND TYPE OF OUTLET)			
OUTLET TYPE	PIPE SIZE/OUTLET TYPE	E BODY HT. DIM.	ADD
IC	Inside Caulk	3IC, 4IC, 6IC	6-5/8" N/C
IG	Inside Gasket	3IG, 4IG, 6IG	6-5/8" N/C
IP	Threaded	4IP, 6IP	5-1/4" 80.00
NL	Neo-Loc	4NL	5-7/8" N/C

SUFFIXES			ADD
-C	Clamp Collar		N/C
-DG	Duresist Grate		257.00
-G	Galvanized Cast Iron		729.00
-S	Secondary Strainer		62.00
-T	Square Top	Z	344.00
		ZN	488.00

⌚ -TC	Neo-Loc Test Cap Gasket (2", 3", 4" NL Bottom Outlet Only)	24.00
-TS	Top Secured with Slotted Screws	129.00
-V	Backwater Valve (Not Available with -Y) (See Z1099)	-
-VP	Vandal-Proof Secured Top	149.00
-Y	Sediment Bucket (Not Available with -V)	242.00

BEST SELLERS		LIST PRICE
Z521-3NH-DG-Y		2,476.00
Z521-4IC		1,977.00
Z521-4NH		1,977.00

Supplied By:



877-903-7246

www.commercialplumbingsupply.com

*Regularly furnished unless otherwise specified.

Items designated as Best Sellers are most specified and are generally in stock for shipment.

⌚ This symbol denotes a product that is engineered to reduce installation and rework time.

For additional product information, please visit www.zurn.com

INTRO ROOF DRAINS FLOOR DRAINS T, P, BW VALVES INTERCEPTORS CARRIERS HYDRANTS CLEANOUTS W/HA SS DRAINS FAB SS DRAINS SAN-FLOOR TECH INFO